

(19)



Europäisches Patentamt

European Patent Office

Office européen des brevets

(11) Veröffentlichungsnummer:

(11) Publication number:

(11) Numéro de publication:

EP 1 609 135 A0

Internationale Anmeldung veröffentlicht durch die
Weltorganisation für geistiges Eigentum unter der Nummer:

WO 2004/081922 (art. 158 des EPÜ).

International application published by the World
Intellectual Property Organisation under number:

WO 2004/081922 (art. 158 of the EPC).

Demande internationale publiée par l'Organisation
Mondiale de la Propriété sous le numéro:

WO 2004/081922 (art. 158 de la CBE).

(19) World Intellectual Property Organization
International Bureau



(43) International Publication Date
23 September 2004 (23.09.2004)

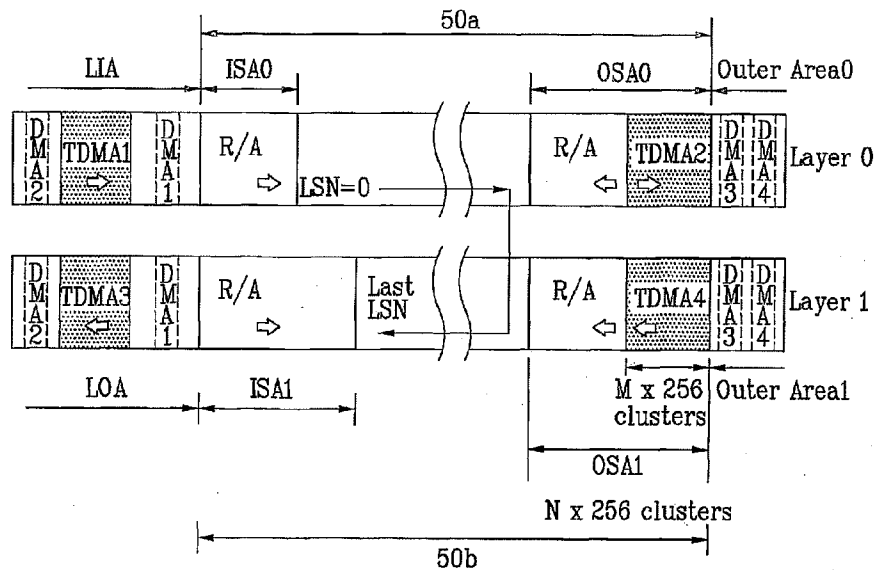
PCT

(10) International Publication Number
WO 2004/081922 A1

- (51) International Patent Classification⁷: G11B 7/00, 11/00
 - (21) International Application Number: PCT/KR2003/002028
 - (22) International Filing Date: 1 October 2003 (01.10.2003)
 - (25) Filing Language: English
 - (26) Publication Language: English
 - (30) Priority Data: 10-2003-0015634 13 March 2003 (13.03.2003) KR
 - (71) Applicant: LG ELECTRONICS INC. [KR/KR]; 20, Yoido-dong, Youngdungpo-gu, Seoul 150-721 (KR).
 - (72) Inventors: PARK, Yong Cheol; 215-204, Jugong APT., Wonmun-dong, Gwachon-si, Gyeonggi-do 427-030 (KR). KIM, Sung Dae; 1110-1406, Jugong APT., Sanbon 1(il)-dong, Gunpo-si, Gyeonggi-do 435-746 (KR).
 - (74) Agents: BAHNG, Hae Cheol et al.; Kims International Patent & Law Office, 15th Floor, Yo Sam Building, 648-23, Yeoksam-dong, Kangnam-gu, Seoul 135-080 (KR).
 - (81) Designated States (national): AE, AG, AL, AM, AT, AU, AZ, BA, BB, BG, BR, BY, BZ, CA, CH, CN, CO, CR, CU, CZ, DE, DK, DM, DZ, EC, EE, EG, ES, FI, GB, GD, GE, GH, GM, HR, HU, ID, IL, IN, IS, JP, KE, KG, KP, KR, KZ, LC, LK, LR, LS, LT, LU, LV, MA, MD, MG, MK, MN, MW, MX, MZ, NI, NO, NZ, OM, PG, PH, PL, PT, RO, RU, SC, SD, SE, SG, SK, SL, SY, TJ, TM, TN, TR, TT, TZ, UA, UG, UZ, VC, VN, YU, ZA, ZM, ZW.
 - (84) Designated States (regional): ARIPO patent (GH, GM, KE, LS, MW, MZ, SD, SL, SZ, TZ, UG, ZM, ZW), Eurasian patent (AM, AZ, BY, KG, KZ, MD, RU, TJ, TM), European patent (AT, BE, BG, CH, CY, CZ, DE, DK, EE, ES, FI, FR, GB, GR, HU, IE, IT, LU, MC, NL, PT, RO, SE, SI, SK, TR), OAPI patent (BF, BJ, CF, CG, CI, CM, GA, GN, GQ, GW, ML, MR, NE, SN, TD, TG).
- Published: — with international search report

[Continued on next page]

(54) Title: WRITE-ONCE RECORDING MEDIUM AND DEFECTIVE AREA MANAGEMENT METHOD AND APPARATUS FOR WRITE-ONCE RECORDING MEDIUM



(57) Abstract: A method of managing defects on a write-once optical recording medium having at least one recording layer is disclosed. The method of managing defects on the at least one recording layer comprises the steps of allocating at least one replacement area and a plurality of temporary defect management areas to the optical recording medium, wherein the temporary defect management areas are separately provided, and recording defect management information on at least one of the plurality of temporary defect management areas.

WO 2004/081922 A1



For two-letter codes and other abbreviations, refer to the "Guidance Notes on Codes and Abbreviations" appearing at the beginning of each regular issue of the PCT Gazette.

**WRITE-ONCE RECORDING MEDIUM AND DEFECTIVE AREA
MANAGEMENT METHOD AND APPARATUS FOR WRITE-ONCE
RECORDING MEDIUM**

5 **Technical Field**

The present invention relates to a write-once optical recording medium, a method and apparatus for managing defect management information thereof, and more particularly, to a method and device for allocating temporary defect management areas, a method for allocating a spare area for defect management and an optical recording medium on which the temporary defect management areas and the spare area are allocated on a write-once type of the optical recording medium such as a Blu-ray disc.

15 **Background Art**

Optical discs, which are a kind of optical recording media, can record a large amount of data, and are now being widely used. Currently, a kind of innovative high-density digital versatile disc (HD-DVD) such as blue ray disc (Blu-ray Disc) is under development. This kind of medium can record and store video data of high quality and audio data of high fidelity for a long time.

The Blu-ray disc is a next generation optical recording solution that can store a larger amount of data than a conventional DVD.

The Blu-ray disc generally employs a blue-violet laser having a wavelength of 405nm. This wavelength is shorter than a red laser used on a conventional DVD. The wavelength of the red laser is 650 nm. The Blu-ray disc has a thickness of 1.2 mm and a diameter of 12 cm, and includes a light

transmission layer having a thickness of about 0.1 mm. Therefore, the Blu-ray disc can store a larger amount of data than a conventional DVD.

An optical disc device for writing and reading data on the Blu-ray disc is shown in FIG. 1. It includes an optical pick-up 11 for writing and reading a signal to and from an optical disc 10, a video disc recorder (VDR) system 12 for processing the signal read out from the optical pick-up 11 into a replay signal, or for modulating and processing an externally inputted data stream into a record signal suitable for recording, and an encoder 13 for encoding an externally inputted analog signal and outputting the encoded analog signal to the VDR system 12.

A Blu-ray disc can be of a rewritable type, which is referred to herein as a Blu-ray Disc Rewritable (BD-RE). A BD-RE has a rewritable capability, which enables video and audio data to be written, erased, and rewritten thereon repeatedly.

The BD-RE, as shown in FIG. 2 is divided into a lead-in area (LIA), a data area and a lead-out area (LOA), and the front and the rear of the data area are allocated to have an inner spare area (ISA) and an outer spare area (OSA).

With the BD-RE configured in the manner described above, the VDR system 12 of the optical disc device shown in FIG.1 encodes and modulates externally inputted data into a signal suitable for recording, and records by cluster unit corresponding to error correction block unit. If a defective area occurs in the data area while recording data on the BD-RE, the data of one cluster unit recorded on the defective area is also recorded on the spare area (for example, the inner spare area on the BD-RE) according to a linear replacement operation. A series of linear replacement operations can be performed.

Accordingly, the VDR system 12 of the optical disc device records the data of the cluster unit recorded on the defective area onto the spare area, even if

the defective area occurs in the data area of the rewritable Blu-ray disc. When a playback operation is performed for the rewritable Blu-ray disc, the data recorded onto the spare area are read out and replayed so that a data recording error can be prevented.

5 Various standards related to the Blu-ray disc are under development.

In this respect, a second type of Blu-ray disc, on which data is not repeatedly rewritten (non-rewritable), but is written only once, is herein referred to as a Blu-ray Disc Write-Once (BD-WO). The Write-once Blu-Ray disc is useful when it is not desirable to repeatedly rewrite data. In a BD-WO,
10 management of defective areas is needed.

But since data can be recorded on the BD-RE repeatedly (due to the characteristics of the BD-RE), the size of the defect management area (DMA) for the rewritable Blu-ray disc is relatively small (see DMA 1~DMA 4 in FIG.2). In contrast, since data is recorded on the write-once Blu-ray disc only one time,
15 the area required in the BD-WO to manage the defective area needs to be larger than the area required for a write-once Blu-ray disc. Accordingly, a sufficiently sized defect management area should be allocated for the BD-WO.

A Blu-ray disc such as a BD-WO having both a sufficiently sized defect management area can store an even greater amount of data than the conventional
20 DVD when a cross-section two-layers recording technology is applied for making two recording layers on one side of the disc with 0.85 NA (Lens Numerical Apertures). An increase in storing capacity is achieved by closely irradiating rays being passed through a lens to the optical disc.

A Blu-ray disc has generally a high numerical aperture lens, increased
25 density, and a 0.32 μ m track pitch. An optical disc being manufactured by using the Blu-ray disc technology can transmit data at a much faster speed than a DVD ROM and a CD ROM. When formatting video and audio data, a formatting

method being presently used for DVD such as MPEG2 (video), AC3, MPEG1 and layer 2 (audio) should be used so as to maintain compatibility with the conventional methods. A feature of a HD-DVD type drive (such as BD-WO) effectively protecting data, should be such that its data can be stored on and
5 reproduced from most of conventional DVD discs being presently used.

Disclosure of Invention

Accordingly, the present invention is directed to a write-once optical
10 recording medium such as a BD-WO, a defect management information management method thereof, and an apparatus for implementing the method, that substantially obviate one or more problems due to limitations and disadvantages of the background art.

An object of the present invention is to provide a method for managing
15 defect management information on a write-once optical recording medium and a recording medium including a recording area of defect management information.

Another object of the present invention is to provide a defect management method for a write-once Blu-ray disc and a recording medium including a recording area of defect management information.

20 Additional advantages, objects, and features of the invention will be set forth in part in the description which follows, and in part will become apparent to those having ordinary skill in the art upon examination of the following, or may be learned from practice of the invention. The objectives and other advantages of the invention may be realized and attained by the structure
25 particularly pointed out in the written description and claims hereof as well as the appended drawings.

To achieve these objects and other advantages and in accordance with the

purpose of the invention, as embodied and broadly described herein, the defect management method for the write-once recording medium includes a method of managing defects on a write-once optical recording medium having at least one recording layer, the method comprising the steps of allocating at least one replacement area and a plurality of temporary defect management areas to the optical recording medium, wherein the temporary defect management areas are separately provided; and recording defect management information on at least one of the plurality of temporary defect management areas.

In another aspect of the present invention, an apparatus of managing defects on a write-once optical recording medium having at least one recording layer, the apparatus comprising means for allocating at least one replacement area and a plurality of temporary defect management areas to the optical recording medium, wherein the temporary defect management areas are separately provided; and means for recording defect management information on at least one of the plurality of temporary defect management areas.

In another aspect of the present invention, a write-once optical recording medium comprises at least one replacement area; and a plurality of temporary defect management areas allocated to the optical recording medium, wherein the temporary defect management areas are separately provided.

It is to be understood that both the foregoing general description and the following detailed description of the present invention are exemplary and explanatory and are intended to provide further explanation of the invention as claimed.

Brief Description of the Drawings

Further objects and advantages of the invention can be more fully

understood from the following detailed description taken in conjunction with the accompanying drawings, in which:

FIG. 1 is a schematic configuration of a general optical disc device;

FIG. 2 illustrates a configuration of a recording area of a BD-RE;

5 FIG. 3 illustrates a schematic configuration of an optical disc device for a BD-WO of the present invention;

FIG. 4 illustrates one example of a recording area of a write once optical recording medium according to an embodiment of the present invention;

10 FIG. 5 illustrates another example recording area of a write-once optical recording medium according to another embodiment of the present invention;

FIG. 6 illustrates another example of a recording area of a write-once optical recording medium according to another embodiment of the present invention;

15 FIG. 7 illustrates another example of a recording area of a write-once optical recording medium according to an embodiment of the present invention;

FIG. 8 illustrates an example of a temporary defect management area usage method of the present invention;

FIG. 9 illustrates another example of a temporary defect management area usage method of the present invention;

20 FIG. 10 illustrates an example of a temporary defect management information composition method of the present invention;

FIG. 11 illustrates another example of a temporary defect management information composition method of the present invention;

25 FIG. 12 illustrates an example of a configuration of TDDS and information contents according to an embodiment of the present invention; and

FIG. 13 is a diagram showing an example of a full flag configuration of a temporary defect management area of the present invention.

Best mode for Carrying Out the Invention

Reference will now be made in detail to the preferred embodiments of the present invention, examples of which are illustrated in the accompanying drawings. Wherever possible, the same reference numbers will be used throughout the drawings to refer to the same or like parts.

Referring to FIG. 3, an optical disc recording/reproducing device 20 for a BD-WO according to the present invention includes an optical pickup 22 for writing/reading data to/from an optical recording medium 21 such as a BD-WO, a pickup servo unit 23 for controlling the optical pickup 22 to maintain a distance between an objective lens in the optical pickup 22 and the optical recording medium 21 and for tracking a pertinent track, a data processor 24 for processing and providing input data to the optical pickup 22, an interface 25 for exchanging data with an external host 30, a memory 27 for storing information regarding defect management, and a microcomputer 26 for controlling the above units. All of the components of the device 20 are operatively coupled. The host 30 is connected to the interface 25 of the device 20 for recording/reproducing data to/from the optical recording medium 21 for exchange of commands and data.

When an optical recording medium such as a BD-WO is loaded, the device 20 loads information regarding defect management such as DMA (defect management area) information, TDMA (temporary defect management area) information and so on, into the memory 27 or other suitable storage. During operation, the memory 27 is updated periodically in accordance with a defect management operation. The present methods can be implemented using the device shown in FIG.1 and FIG.3, or other suitable devices or systems.

FIG. 4 illustrates an example of recording area configuration of a BD-WO according to an embodiment of the present invention. The BD-WO shown in FIG. 4 has a structure of a single layer disc (i.e., it has a single recording layer). Also, the BD-WO shown in FIG. 4 includes a lead-in area (LIA), a data area and a lead-out area (LOA). A user data area is located within the data area. The lead-in and lead-out areas include final or permanent defect management areas (DMA 1~DMA 4). The arrows shown in each respective area indicate examples of a data recording direction.

A temporary defect management area (TDMA 1 or TDMA 2) according to the present invention is provided in the lead-in area and the data area of the BD-WO. Here, the TDMA (temporary defect management areas) can be distinguished from the final defect management areas (DMA 1, DMA 2, DMA 3, DMA 4). Particularly, the temporary defect management area (TDMA) is an area of the BD-WO that is used to "temporarily" record and manage defect management information until the BD-WO is finalized. Afterward, the defect management information is recorded onto at least one of multiple defect management areas, for example DMA 1~DMA 4, on the recording layer shown in FIG. 4. The BD-WO is considered to be finalized, e.g., when recording data onto a user data area of the BD-WO has been completed.

The data area of the BD-WO shown in FIG. 4 includes a user data area, an inner spare area (ISA0) and an outer spare area (OSA0.) The second TDMA 2 is provided in the OSA0. The OSA0 may also include a replacement area R/A for replacement-recording the data corresponding to a defective area in the user data area. The entire ISA0 may be used as a R/A. That is, in the embodiment shown in FIG. 4, a plurality of temporary defect management areas (TDMA 1, TDMA 2) are provided separately in specified areas on the BD-WO. For example, the TDMA 1 is provided in the lead-in area, and the TDMA 2 is

provided in the outer spare area. An example of such specified areas is an inner circumferential area and an outer circumferential area of the BD-WO. Particularly, FIG. 4 schematically shows that the inner circumferential area is provided in the inner circumferential area and the outer circumferential area is provided at an end portion of the data area.

The size of the TDMA 2 provided in the outer circumferential area of the BD-WO may be fixed. On the other hand, the size of TDMA 2 can be changed according to the size of the spare area (for example, OSA0). In a more particular example, when the size of the OSA0 is $N \times 256$ clusters, the size of the TDMA 2 is $M \times 256$ clusters. Here, M is an integer determined from $N/4$ ($M = N/4$). For example, when $N=64$, the size of the spare area (OSA0) is 16384 clusters and the size of the TDMA 2 is 4096 clusters because $M = N/4$.

There are reasons why the size of the TDMA 2 provided in the outer circumferential area of the BD-WO can be changed according to the size of the spare area (OSA0). One reason is that when a replacement area for data to be written is provided in the spare area, the size of the replacement area, the size of the temporary defect management area and the size of the spare area are interdependent. If the size of one of these is reduced, then the size of the other may be increased (and vice versa). Compared to the size of TDMA 2, in this particular embodiment, the size of the temporary defect management area (TDMA 1) provided in the inner circumferential area (the lead-in area) maintains a fixed value. The temporary defect management area (TDMA 1) provided in the lead-in area in this embodiment of the present invention may be used according to the use of the TDMA 2. For example, when the TDMA 2 provided in the spare area (OSA0) is not managing the defects, the spare area may be allocated to have a size of '0.' Thus, the size of the TDMA 2 becomes '0'. Such a case may exist when all of the data area is used for recording user

data. Nevertheless, the TDMA 1 of the lead-in area may still be available, and management and description of specific information by using DDS (disc definition structure) may also be available. However, DDS may not be available for management of a defect list. A more particular discussion will be provided
5 below, referring to FIG. 10 and FIG. 11.

When a defective area is detected in the user data area, data to be recorded in the defective area is recorded to a replacement area R/A and the defect management information associated with this defective area is recorded into one or more of the TDMA 1 and TDMA 2.

10 FIG. 5 shows an embodiment of the present invention, which illustrates another configuration of a BD-WO. The BD-WO shown in FIG. 5 is a single layer disc having a configuration which includes a lead-in area, a data area and a lead-out area. The arrows in each area are used to indicate a direction of recording data. Each of the inner and outer spare areas ISA0 and OSA0 includes
15 a replacement area R/A for replacement-recording data corresponding to a defective area (if found) in the user data area.

In the embodiment shown in FIG. 5, the temporary defect management area (TDMA 1) is provided at a beginning portion of the data area, e.g., the inner spare area (ISA0). The second TDMA 2 is provided in the outer spare area
20 (OSA0). As a result, a plurality of temporary defect management areas (TDMA 1 and TDMA 2) are separately provided in pre-specified areas (ISA0, OSA0) of the BD-WO in this embodiment of the present invention. The first TDMA (TDMA 1) is provided in the inner spare area and the second TDMA (TDMA 2) is provided in the outer spare area. Broadly, each of the plurality of
25 temporary defect management areas is separately provided in a specified area of BD-WO. In this example, the specified area is the inner circumferential area and the outer circumferential area. More precisely, in the embodiment shown in

FIG. 5, the inner circumferential area is provided at the starting portion of the data area and the outer circumferential area is provided at the end portion of the data area.

In this embodiment, the size of the temporary defect management area (e.g., TDMA 2) provided in the outer area of the BD-WO can be fixed, or variable according to the size of the spare area (OSA0). Similarly, the size of the TDMA 1 may be fixed or variable as need. But preferably, the TDMA 1 in the lead-in area has a fixed size whereas the TDMA 2 in the OSA0 has a variable size.

10 According to this example, when a defective area is detected, the data to be recorded into the defective area is recorded into a replacement area R/A and the defect management information associated with the defective area is recorded in one or more of the TDMA 1 and TDMA 2. The replacement area for recording the defective information is provided in one of the spare areas.

15 FIG. 6 illustrates another recording area configuration of the BD-WO according to the present invention. The BD-WO shown in FIG. 6 has two recording layers (Layers 0 and 1). The firsts layer (Layer 0) includes a lead-in area, a data area 50a, and an outer area Outer Area 0. The second layer (Layer 1) includes a lead-out area, a data area 50b, and an outer area Outer Area 1. A plurality of DMAs (DMA 1 ~ DMA 4) are provided on each layer. Each of the data areas 50a and 50b includes at least one spare area. Arrows in the respective areas indicate examples of a recording direction.

25 In this embodiment, a temporary defect management area (TDMA 1 or TDMA 3) is provided on each layer in the lead-in area or lead-out area. The inner spare areas (ISA0, ISA1) and the outer spare areas (OSA0, OSA1) area provided in the respective data areas 50a and 50b on each layer. A temporary defect management area (TDMA 2 or TDMA 4) is provided on each layer of the

outer spare area (OSA0 or OSA1) respectively. In this example, the entire ISA0 and ISA1 may be used as a replacement area R/A. Each of the OSA0 and OSA1 may include a replacement area R/A.

This embodiment can be broadly described as having a plurality of
5 separate temporary defect management areas (TDMA 1, TDMA 3, TDMA 2, TDMA 4), each provided in a specified area of the BD-WO. The first pair (TDMA 1, TDMA 3) is provided in the lead-in and lead-out areas and the second pair (TDMA 2, TDMA 4) is provided in the outer spare areas OSA0 and OSA1. This embodiment can also be described as a plurality of the temporary
10 defect management areas, separately provided in their specified areas (on each layer) in the inner circumferential area and the outer circumferential area of the dual layer BD-WO. Particularly, the inner circumferential area is provided in the lead-in and lead-out areas and the outer circumferential area is provided at the end portion of the respective data area.

15 The sizes of the TDMA 2 and TDMA 4 provided in the outer circumferential area of the BD-WO can be fixed or varied according to the size of the associated spare area. For example, when the sizes of one of the outer circumferential areas (OSA0, OSA1) is $N \times 256$ clusters, the size of either one of the TDMA 2 and TDMA 4 is variable to $M \times 256$ clusters. Here, M is an
20 integer number determined from $N/4(M/4)$. For example, when $N=32$, the sizes of each (or any one of) the outer spare areas (OSA0, OSA1) is 8192 clusters and the sizes of each (or any one of) the TDMA 2 and TDMA 4 becomes 2048 clusters (TDMA 2=TDMA 4=8192 clusters) because $M = N/4=8$. Similarly, the size of the TDMA 1 and 3 may be fixed or variable. But
25 preferably, each of the TDMA 1 and 3 in the lead-in and lead-out area has a fixed size, whereas each of the TDMA 2 and 4 in the outer spare areas OSA0 and OSA1 has a variable size.

There is a reason why the size of the temporary defect management areas (TDMA 2, TDMA 4) provided in the outer circumferential area of the BD-WO can be changed according to the size of the spare areas (OSA0, OSA1). One reason is that the size of the replacement area, the size of the temporary defect management area and the size of the spare area are interdependent when a replacement area is provided in the spare area as an alternative to the temporary defect management area. In comparison, the sizes of the temporary defect management areas (TDMA 1, TDMA 3) provided in the inner circumferential area (the lead-in and lead-out areas) are preferably fixed.

In the example of FIG. 6, the temporary defect management areas (TDMA 1, TDMA 3) provided in the lead-in and lead-out areas may be used according to the use of temporary defect management areas TDMA 2, TDMA 4). For example, when the temporary defect management areas (TDMA 2, TDMA 4) provided in the outer spare areas (OSA0, OSA1) are not managing the defective areas, the spare areas (ISA0, OSA0) may be allocated to a size of '0.' Thus, the size of the TDMA 2 becomes '0' when all of the data area is used for recording user data. However, the temporary defect management areas (TDMA 1, TDMA 3) of the lead-in area are still available, and management and description of specific information can still take place. In this case the DFL (Defect List) may not be managed. This will be described in more detail below referring to FIG. 10 and FIG. 11.

When a defective area is discovered, data to be recorded into a defective area of a user data area is recorded into a replacement area R/A and the defect management information associated with the defective area is recorded into one or more of the temporary defect management areas (TDMA 1, TDMA 2, TDMA 3, TDMA 4) provided in the pre-specified areas of the BD-WO. In the example of FIG. 6, the replacement area is provided in a portion of one of the

spare areas.

FIG. 7 shows another example of a recording area configuration of a BD-WO according to an embodiment of the present invention. This example is identical to the example of FIG. 6, except that the TDMA's are now provided in
5 inner and outer spare areas of each layer (Layers 0 and 1). That is, the example of FIG. 7 is a dual layer disc version of the single layer disc configuration shown in FIG. 5.

Particularly, the BD-WO in FIG. 7 shows the configuration of a dual layer BD-WO, including a lead-in area, a lead-out area, data areas 50a and 50b
10 and Outer Areas (Outer Area 0, Outer Area 1). The arrows in the respective areas indicate examples of a recording direction.

The first temporary defect management areas (TDMA 1, TDMA 3) according to this embodiment are provided on each recording layer at a beginning portion of the respective data area 50a, 50b. That is, they are provided
15 in the inner spare areas ISA0 and ISA1 of the data areas. The second temporary defect management areas (TDMA 2, TDMA 4) are provided on each recording layer at an ending portion of the respective data area. That is, they are provided in the outer spare areas (OSA0, OSA1) of the data areas 50a and 50b.

Descriptively, the embodiment of the present invention shown in FIG. 7
20 includes a plurality of the temporary defect management areas (TDMA 1, TDMA 3, TDMA 2, TDMA 4) where each of TDMA's is provided at a beginning portion of a data area (the inner spare area) and at an end portion of the data area (the outer spare area).

The size of the temporary defect management areas (TDMA 2, TDMA 4)
25 provided in the outer circumferential area of the BD-WO can be fixed or variable according to the size of the outer spare area (OSA0). According to this embodiment, if a defective area is detected when recording data on the BD-WO,

data to be recorded into the defective area is alternatively recorded into a replacement area R/A and the defect management information associated with the defective area is recorded into one or more of the temporary defect management areas (TDMA 1, TDMA 2, TDMA 3, TDMA 4) provided in their
5 respective pre-specified areas of the BD-WO. The size of the TDMA 1 and 3 is fixed and the size of the TDMA 2 and 4 is variable.

In another embodiment, a method of recording defect management information includes steps of providing a last defect management area and a temporary defect management area, alternatively recording defect management
10 into a spare area instead of a temporary defect management area, recording defect management information into the plurality of the temporary defect management area separately provided in respective pre-specified areas of the BD-WO and recording the defect management information into the last defect management area after the temporary defect management area is completely used.

15 Using the configuration of a BD-WO in FIG. 4 as an example, a plurality of the temporary defect management areas (TDMA 1, TDMA 2) are provided and the defect management areas (DMA 1, DMA 2, DMA 3, DMA 4) provided in the lead-out area are last defect management areas. If a defective area is detected when recording data, data to be recorded into the data area is
20 alternatively recorded into a replacement area provided in the spare area and corresponding defect management information is recorded into a temporary defect management area. After the temporary defect management area (TDMA 1) is completely used up such that no more TDMA 1 is available to record the defect management information, then the "last" or latest defect
25 management information is recorded into the last defect management area (DMA 1~DMA 4).

FIG. 8 illustrates an example of a method of using the plurality of

temporary management areas (TDMA 1~TDMA 4) in the single layer or dual layer BD-WO according to an embodiment of the present invention. In this method, TDMA 1 stores therein both TDDS (temporary disc definition structure) and TDFL (temporary defect list). However, although not shown in the illustration, the TDMA 2 also includes both TDDS and TDFL. The embodiment shown in FIG. 8 illustrates that the particular defect management information (TDDS and TDFL) is recorded in the TDMA 1 before it is recorded in the TDMA 2. While only the TDMA 1 and TDMA 2 are shown, this method applies to all of the TDMA's (TDMA 1~TDMA 4).

A discussion of TDDS and TDFL is now provided. In the present invention, TDDS refers to temporary disc definition structure and is distinguished from DDS (disc definition structure), in that TDDS is temporary. Similarly TDFL refers to a temporary defect list, and is distinguished from a DFL (defect list) in that TDFL is temporary. Herein, both the TDFL and TDDS are included in a plurality of TDMA's.

The temporary defect list (TDFL) contains (in part) a list of clusters that are determined to be defective during the use of the media. In relation thereto, TDDS specifies the format and status of the disc with relation to defect management, and in general, provides overall management information. A format of the disc may include information regarding the specific layout of areas on the disc for managing defective areas, and status of a disc may include various flags (explained below). The TDFL includes the addresses of the defective areas and the replacement areas. TDDS and TDFL recorded in the temporary defect management areas (for example, TDMA 1 and TDMA 2), become permanent information (DDS and DFL) written in the permanent defect management areas (for example, DMA 1- 4). When a disc is finalized or defects can no longer be managed, the latest TDDS and TDFL stored in the

TDMA(s) are transferred to and recorded in at least one of the DMAs as DDS information and DFL information, respectively. During the recording of data in the user data area(s), the TDDS and TDFL are updated periodically or at the same time and the updates are recorded in the TDMA(s). The particular
5 operation of these will become more apparent as the discussion thereof progresses.

In the embodiment shown in FIG. 8, the TDMA 1 is used first (before the TDMA 2 is used) to record therein defect management information such as TDDS and TDFL information. When the TDMA 1 is full, the TDMA 2 is used
10 to record therein the defect management information. However, in another variation, the TDMA 2 is used first (before the TDMA 1). In this case, when the TDMA 2 is full, the TDMA 1 is used to record the defect management information. In such an instance, information providing notification of which area among the plurality of TDMA's is full is indicated by a "full flag" of TDMA.
15 The "full flag" indication is necessary because preferred embodiments disclosed herein require information indicating which area among a plurality of TDMA's is full. In one example, this TDMA 1 full flag may be included in the TDDS.

Accordingly, in the embodiment of FIG. 8, the TDMA 1 and TDMA 2 or the TDMA 2 and TDMA 1 are sequentially used to store therein defect
20 management information. In further embodiments, the TDMA 1 and TDMA 2 are located in the lead-in area and lead-out area of the BD-WO. The usage of a particular TDMA depends on a variety of factors, examples of which will be provided in a discussion of methods of using the plurality of TDMA's.

It should be noted that the method of FIG. 8 and any other methods
25 discussed herein (FIGS. 9-13) are applicable to the disc structures of FIGS. 4, 5, 6 and 7 and any other variations thereof discussed herein. It should also be noted that the present invention encompasses embodiments that include one or a

plurality of TDMA's on each recording layer of the BD-WO.

In FIG. 8 and subsequent FIG. 9, only TDMA's 1 and 2 are shown. These are merely one example of representation and can represent any other TDMA's allocated on a BD-WO (e.g., TDMA's 1 and 3; TDMA's 2 and 4; TDMA's 3 and 6, 5 etc.)

FIG. 9 illustrates another example of a method of using the plurality of temporary management areas (TDMA 1~TDMA 4) in the single layer or dual layer BD-WO according to an embodiment of the present invention. However, the example of FIG. 9, as well as the example of FIG. 8, will be better 10 understood after a discussion of the example of a TDMA full flag as shown in FIG. 12, and the related structure shown in FIG. 13.

FIG. 12 illustrates an example of a writing configuration of the defect management information according to the present invention. Shown in the example is a TDMA full flag indicating whether or not a TDMA is full. This full 15 flag is recorded in the TDDS. The TDDS, as mentioned above, includes overall management information. In order to manage a defective area in the present invention, a TDMA full flag and indicators such as 'TDMA 1 size', 'TDMA 2 size', etc. are used. On the other hand, the full flag and the size indicators may not be required in every situation. Particularly, a full flag 20 provides information on whether a specific area is full and may be a 1-bit indication corresponding to the specific area. In the embodiment shown, if the specific area is a TDMA of the structure, and the bit value of the corresponding full flag is "1", then the corresponding area (TDMA 1, for example) is regarded as being full or in a 'full' state. Accordingly, the particular TDMA can 25 no longer be used because the TDMA is full.

FIG. 13 shows an example of an 8-bit TDMA full flag indicating whether or not one or more TDMA's (TDMA 1~TDMA 4) are full. The structure shown

in FIG. 13 is included in the field of TDDS shown in FIG. 12. The size of the TDDS is fixed, e.g., 1 cluster, and the size of the TDFL is variable in recording the TDDS and the TDFL as shown in FIG. 8. The size of the TDFL of a dual layer BD-WO as shown in FIG. 6 and FIG. 7 can be changed from 1 cluster to 8 clusters. The size is determined considering the capacity of an entire disc and the size of the spare area.

According to the method of using the plurality of TDMA's, if a defective area is created or discovered when data are recorded on a BD-WO, the data recorded or to be recorded on the defective area of the BD-WO are recorded on a predetermined replacement area (e.g., spare area) in the BD-WO. More discussion regarding FIG. 13 will be provided later.

A discussion of FIG. 9 will now be provided. As mentioned, FIG. 9 illustrates another example of a temporary defect management area usage method of the present invention. In the method of using the temporary or defect management area shown in FIG. 9, the TDMA 1 and TDMA 2 are used randomly without determining any usage order. The TDMA full flags discussed in reference to FIGs. 12 and 13 are equally applied herein.

If the TDMA full flag indicates that a particular TDMA is full for the cases shown in FIGS. 8 and 9, a subsequent or another TDMA is used to store therein the defect management information. In a random case such as the case shown in FIG. 9, no usage order is specified. But, if all the TDMA's are full, defects on the BD-WO can no longer be managed. When defects can no longer be managed, final or latest information of TDDS and TDFL is transferred from the TDMA and recorded on at least one of the DMA's (DMA 1 ~ DMA 4) to reflect the current disc status. More discussion on recordation of final information on a DMA will be provided later.

According to the embodiment of FIG. 9, the data of a defective area are

recorded on a predetermined replacement area. The defect management information pertaining to this defective area and the replacement area is randomly recorded on the desired TDMA. For example, the TDMA nearest to the area where the defective area is located on the BD-WO is available for recording such defect management information. Therefore, as shown in FIG. 9, the TDMA's may be used variably, or as needed.

In another method of using a temporary defect management area in the present invention, a plurality of temporary defect management areas are used variably depending upon a variety of conditions.

As example, consider that an area(s) for managing defects includes TDMA 1 and TDMA 2 according to the embodiments illustrated in FIGs 5-7. Defect management information may be recorded only on a TDMA 2 when using the BD-WO. The latest defect management information is then recorded on a TDMA 1 later when ejecting the BD-WO. In other words, the choices of an area in which to record defect management information is determined between the area to record defect management information when using the disc and the area to record defect management information when ejecting the disc.

According to another embodiment of a method of using the temporary defect management area, when recording data on the BD-WO, the data recorded (or to be recorded) on the defective area are recorded on the predetermined replacement area if a defective area is created or discovered during the process of recording data. The defect management information is recorded on the TDMA 2 when using the disc. The same defect management information is again recorded on the TDMA 1 when ejecting the disc.

As another method of using the disc, various objects are used for selecting one of a plurality of temporary defect management areas. One method of using the disc is based on significance. For example, when the

significance to update the defect management information is low, the TDMA 2 may be used to record defect management information. When the significance to update the defect management information is high, the TDMA 1 (instead of the TDMA 2) may be used to record defect management information. Here, 5 the criterion used to determine the significance can be set variously. The frequency of refreshing defect management information (updating) can be made conditional, or based on a designer's choice. The time to eject a disc may also be designated as a significant time in recording defect management information. In such a case, the time a disc is in use is regarded to be less significant so that 10 during this time, the defect management information may be recorded on the TDMA 2 (instead of the TDMA 1). The time to eject a disc may be regarded to be more significant so that during this time, the defect management information may be recorded on the TDMA 1 (instead of the TDMA 2). The use of the TDMA 1 (or TDMA 3) is advantageous over the use of TDMA 2 (or TDMA 4) 15 since the TDMA 1 and 3 can be more quickly and easily accessed when the disc is loaded because they are located in the lead-in and lead-out areas, instead of the data areas. The methods that a designer decides to use are employed discriminately.

One of the criteria used to determine significance is an update interval. 20 In other words, if the time duration between the previous defect management information update time and the present defect management information update time is long, the present update information is regarded to be relatively significant. In this case, the defect management information can be recorded on a TDMA 1 even though the disc is in use. Another criterion to determine 25 significance is the number of defective areas created or discovered. If there are relatively many defective areas, since it is regarded that more reliability is required, defect management information may be recorded on a TDMA 1 even

though the disc is in use.

According to the objectives of use, if defect management information is recorded on a TDMA according to significance, since the TDMA 1 is positioned on the inner track, significant information can be rapidly and precisely obtained, beginning from the initial time of loading the disc.

FIGs. 10 and 11 illustrate two different examples of a temporary defect management information composition method of the present invention. In one embodiment, the present invention provides a method of composing and recording defect management information on a TDMA, wherein the TDDS and the TDFL are separated from each other. Another embodiment of the present invention provides a method of composing and recording defect management information on a TDMA, wherein the TDDS and the TDFL are integrated with each other. FIG. 10 shows the former case (separated) and FIG. 11 shows the latter case (integrated). Here, each time the defect management information is updated, the latest TDFL and TDDS information is recorded in the TDMA.

Particularly, FIG. 10 illustrates a method of composing and recording defect management information on a TDMA wherein the TDDS and the TDFL are separated from each other. Each TDDS has a fixed size, e.g., 1 cluster, and the size of each TDFL is variable from, e.g., 1 cluster to 8 clusters.

FIG. 11 illustrates a method of composing and recording defect management information on a TDMA wherein the TDDS and the TDFL of the TDMA are integrated with each other. Defect management information is recorded in the form of TDFL + TDDS as shown in FIG. 11. Since the size of the TDFL can be variable from 1 cluster to 8 clusters as described above, the size of the (TDFL + TDDS) is variable from 1 cluster to 8 clusters.

Referring again to FIG. 12, the size of each TDMA (TDMA 1~TDMA 4) is indicated in the TDDS along with the TDMA full flag. According to the

configuration of FIG. 4 and FIG. 5, information describing the sizes of only the TDMA 1 and TDMA 2 is provided in the TDDS. According to the configuration of FIG. 6 and FIG. 7, it is safe to write information describing the sizes of the TDMA 1, TDMA 2, TDMA 3 and TDMA 4 is provided in the
5 TDDS. This is to say that the defect management information is recorded into a plurality of the temporary defect management areas provided in the pre-specified areas of the BD-WO according to the present invention. Therefore, the amount and types of information and bits, and the way of expressions for describing the size of the TDMA are not limited to the illustration in FIG. 12.

10 Referring again to FIG. 13, the 8-bit structure depicted is an example illustrating the temporary defect management area full flag. One bit of the TDMA full flag is allocated to each TDMA, e.g., from TDMA 1 to TDMA 4 as shown in FIG. 13. For instance, the TDMA full flag having a value of '00000011' indicates that the TDMA 1 and 2 are full. The size and bit mapping
15 are not limited to the configuration described in FIG. 13 in describing the TDMA full flag.

As shown in FIG. 13, in this example, each TDMA, from TDMA 1 to TDMA 4, corresponds to each bit from b0 to b3 of the TDMA full flag. Full flag bits for the TDMA 3 and TDMA 4 are not necessarily defined according to the
20 disc configuration in FIG. 4 and FIG. 5. Full flag bits for the TDMA 3 and TDMA 4 may be defined according to the dual layer disc configuration shown in FIG. 6 and FIG. 7. In the dual layer BD-WO, from a logical point of view, the TDMA 2 and TDMA 4 can be used as a unified temporary defect management area. Similarly, the TDMA 1 and the TDMA 3 can be used as a unified
25 temporary defect management area. Therefore, a method of defining the full flag may be that one full flag (or bit) is defined for TDMA 1+TDMA 3 and another full flag (or bit) is defined for TDMA 2+TDMA 4.

Accordingly, when the defect management information is recorded into a plurality of the temporary defect management areas, a system can determine whether or not writing area is available.

5 **Industrial applicability**

The present invention provides defect management methods when a defective area is discovered during data writing on a BD-WO. Particularly, writing, recording, reproducing and managing the defective area using the defect
10 management information is realized on the BD-WO by alternatively recording the defect management information to be recorded in the defective area into the replacement area on the BD-WO and by recording the defect management information into a plurality of temporary defect management areas separately provided in the pre-specified areas of the disc.

15 It will be apparent to those skilled in the art that various modifications and variations can be made in the present invention without departing from the spirit or scope of the inventions. Thus, it is intended that the present invention covers the modifications and variations of this invention provided they come within the scope of the appended claims and their equivalents.

What is claimed is:

1. A method of managing defects on a write-once optical recording medium having at least one recording layer, the method comprising the steps of:
5 allocating at least one replacement area and a plurality of temporary defect management areas to the optical recording medium, wherein the temporary defect management areas are separately provided; and
recording defect management information on at least one of the plurality of temporary defect management areas
10
2. The method of managing of claim 1, wherein in the allocating step, at least one of the plurality of temporary defect management areas is allocated to an inner circumferential area of the optical recording medium and at least one of the plurality of temporary defect management areas is allocated to an outer
15 circumferential area of the optical recording medium.
3. The method of managing of claim 1, wherein in the allocating step, one of the plurality of temporary defect management areas is provided in a lead-in area of the optical recording medium and one of the plurality of temporary
20 defect management areas is provided at an end portion of a data area of the optical recording medium.
4. The method of managing of claim 1, wherein in the allocating step, one of the plurality of temporary defect management areas is provided at a beginning
25 portion of a data area and one of the plurality of temporary defect management areas is provided at an ending portion of said data area of the optical recording medium.

5. The method of managing of claim 1, wherein the step of allocating further comprises:

allocating at least one inner spare area, at least a portion of which is used
5 as a replacement area to replace a defective area;

allocating at least one outer spare area, a portion of which is used as a replacement area to replace a defective area; and

allocating a portion of at least one of the at least one outer spare area and the at least one inner spare area as a temporary defect management area to
10 manage defect management information.

6. The method of managing of claim 5, wherein in the step of allocating, the at least one inner spare area includes a first inner spare area, an entire allocated area of which is used to replace a defective area.

15

7. The method of managing of claim 5, wherein in the step of allocating, the at least one inner spare area includes a first inner spare area allocated to a beginning portion of a data area, and the at least one outer spare area includes a first outer spare area allocated to an ending portion of the data area.

20

8. The method of managing of claim 1, wherein a first one of the temporary defect management areas has a fixed size, whereas a second one of the temporary defect management areas has a variable size.

9. The method of managing of claim 8, wherein in the step of allocating, the first one of the temporary defect management areas is allocated to a lead-in area, and the second one of the temporary defect management areas is allocated
25

to an outer spare area.

10. The method of managing of claim 8, wherein in the step of allocating,
the first and second ones of the temporary defect management areas are allocated
5 to an inner spare area and an outer spare area of the optical recording medium
respectively.

11. The method of managing of claim 1, wherein in the step of allocating,
the optical recording medium has at least two recording layers, a first recording
10 layer which includes a temporary defect management area having a fixed size
and a temporary defect management area having a variable size, and a second
recording layer which includes a temporary defect management area having a
fixed size and at least one temporary defect management area having a variable
size.

15

12. The method of managing of claim 11, wherein the temporary defect
management areas having a fixed size are located in a lead-in area of the first
and second recording layers, respectively, and the temporary defect management
areas having a variable size are located in an outer spare area of the first and
20 second recording layers, respectively.

13. The method of managing of claim 11, wherein the temporary defect
management areas having a fixed size are located in an inner spare area of the
first and second recording layers, respectively, and the temporary defect
25 management areas having a variable size are located at an outer spare area of the
first and second recording layers, respectively.

14. The method of managing of claim 12, wherein in the step of allocating, the first recording layer includes a first inner spare area, an entire area of which is used to replace a defective area and the outer spare area having a variably allocated size, and the second recording layer includes a second inner spare area and the outer spare area.

15. The method of managing of claim 1, wherein the optical recording medium is a write-once Blu-ray disc (BD-WO).

16. The method of managing of claim 1, wherein in the step of recording, said defect management information includes at least one temporary defect list (TDFL) and at least one temporary disc definition structure (TDDS).

17. The method of managing of claim 8, wherein the first and second ones of the temporary defect management areas are used sequentially with respect to one another.

18. The method of managing of claim 8, wherein the first and second ones of the temporary defect management areas are used randomly without priority with respect to one another.

19. The method of managing of claim 16, wherein the at least one temporary defect list and the at least one temporary disc definition structure are separated.

20. The method of managing of claim 16, wherein the at least one temporary defect list and the at least one temporary disc definition structure are

integrated.

21. The method of managing of claim 16, wherein information providing notification of which area among the temporary defect management areas is full
5 is indicated by a full flag.

22. The method of managing of claim 16, wherein the size of each of the temporary defect management areas is recorded in the TDDS.

10 23. An apparatus for managing defects on a write-once optical recording medium having at least one recording layer, the apparatus comprising:

means for allocating at least one replacement area and a plurality of temporary defect management areas to the optical recording medium, wherein the temporary defect management areas are separately provided; and

15 means for recording defect management information on at least one of the plurality of temporary defect management areas.

24. A write-once optical recording medium comprising:

a data area including at least one replacement area;

20 and a plurality of temporary defect management areas allocated to the optical recording medium, wherein the temporary defect management areas are separately provided, and defect management information is recorded on at least one of the temporary defect management areas.

25 25. The optical recording medium of claim 24, wherein at least one of the plurality of temporary defect management areas is allocated to an inner circumferential area of the optical recording medium and at least one of the

plurality of temporary defect management areas is allocated to an outer circumferential area of the optical recording medium.

26. The optical recording medium of claim 24, further comprising:

5 a lead-in area, wherein one of the plurality of temporary defect management areas is provided in the lead-in area of the optical recording medium and one of the plurality of temporary defect management areas is provided at an end portion of the data area of the optical recording medium.

10 27. The optical recording medium of claim 24, wherein one of the plurality of temporary defect management areas is provided at a beginning portion of the data area and one of the plurality of temporary defect management areas is provided at an ending portion of said data area of the optical recording medium.

15

28. The optical recording medium of claim 24, further comprising:

at least one inner spare area in the data area, at least a portion of which is used as a replacement area to replace a defective area; and

20 at least one outer spare area in the data area, a portion of which is used as a replacement area to replace a defective area, wherein a portion of at least one of the at least one outer spare area and the at least one inner spare area is used as a temporary defect management area to manage defect management information.

25

29. The optical recording medium of claim 28, wherein the at least one inner spare area includes a first inner spare area, an entire allocated area of which is used to replace a defective area.

30. The optical recording medium of claim 28, wherein the at least one inner spare area includes a first inner spare area allocated to a beginning portion of the data area, and the at least one outer spare area includes a first outer spare area allocated to an ending portion of the data area.

31. The optical recording medium of claim 24, wherein a first one of the temporary defect management areas has a fixed size, whereas a second one of the temporary defect management areas has a variable size.

10

32. The optical recording medium of claim 31, further comprising:
a lead-in area; and
an outer spare area in the data area, wherein the first one of the temporary defect management areas is allocated to the lead-in area, the second one of the temporary defect management areas is allocated to the outer spare area.

15

33. The optical recording medium of claim 31, further comprising:
a inner spare area and an outer spare area, both in the data area, wherein the first and second ones of the temporary defect management areas are allocated to the inner spare area and the outer spare area of the optical recording medium, respectively.

20

34. The optical recording medium of claim 24, wherein the optical recording medium has at least two recording layers, a first recording layer which includes a temporary defect management area having a fixed size and a temporary defect management area having a variable size, and a second recording layer which includes a temporary defect management area having a

25

fixed size and at least one temporary defect management area having a variable size.

35. The optical recording medium of claim 34, wherein the temporary
5 defect management areas having a fixed size are located in a lead-in area of the first and second recording layers, respectively, and the temporary defect management areas having a variable size are located in an outer spare area of the first and second recording layers, respectively.

10 36. The optical recording medium of claim 34, wherein the temporary defect management areas having a fixed size are located in an inner spare area of the first and second recording layers, respectively, and the temporary defect management areas having a variable size are located at an outer spare area of the first and second recording layers, respectively.

15 37. The optical recording medium of claim 35, wherein the first recording layer includes a first inner spare area, an entire area of which is used to replace a defective area and the outer spare area having a variably allocated size, and the second recording layer includes a second inner spare area and the outer spare
20 area.

38. The optical recording medium of claim 24, wherein the optical recording medium is a write-once Blu-ray disc (BD-WO).

25 39. The optical recording medium of claim 24, wherein said defect management information includes at least one temporary defect list (TDFL) and at least one temporary disc definition structure (TDDS).

40. The optical recording medium of claim 39, wherein the at least one temporary defect list and the at least one temporary disc definition structure are separated.

5

41. The optical recording medium of claim 39, wherein the at least one temporary defect list and the at least one temporary disc definition structure are integrated.

10

42. The optical recording medium of claim 39, wherein the size of each of the temporary defect management areas is recorded in the TDDS.

FIG. 1
Background Art

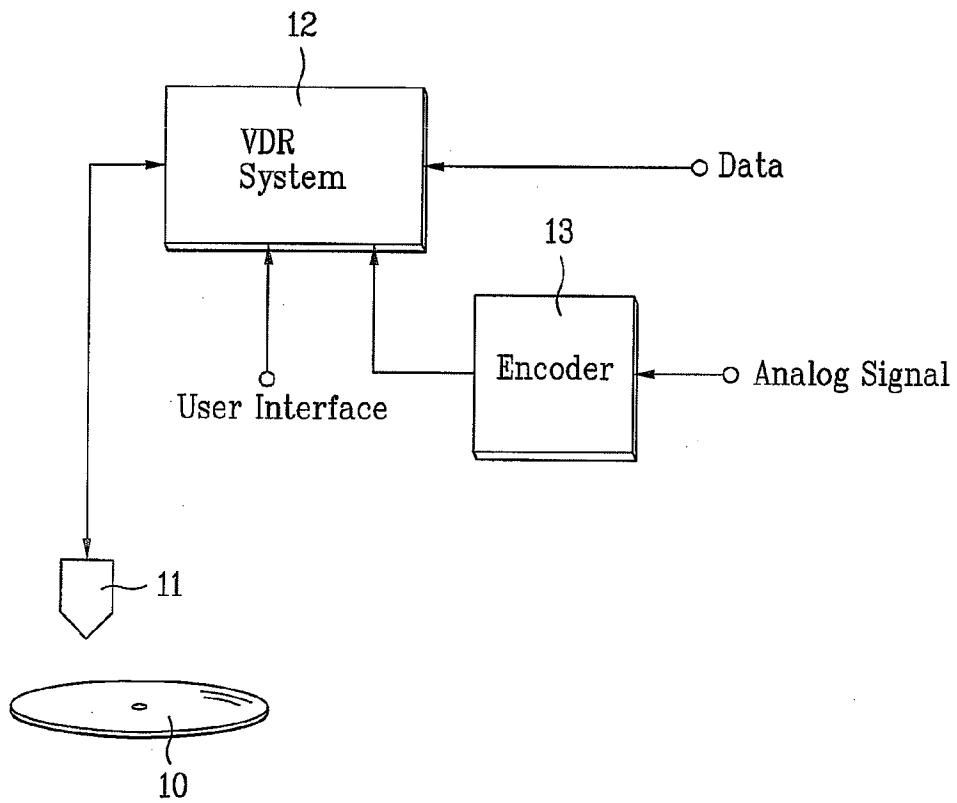


FIG. 2
Background Art

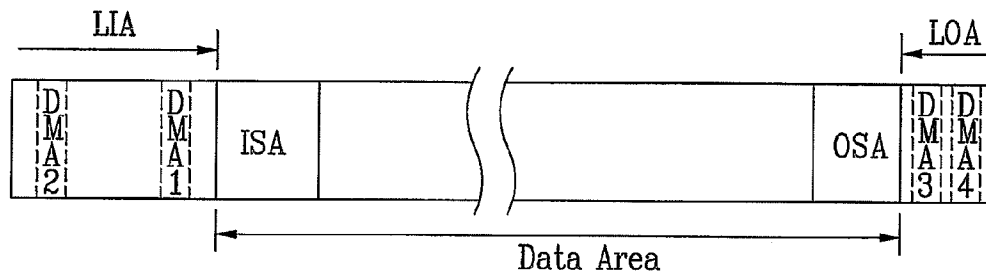


FIG. 3

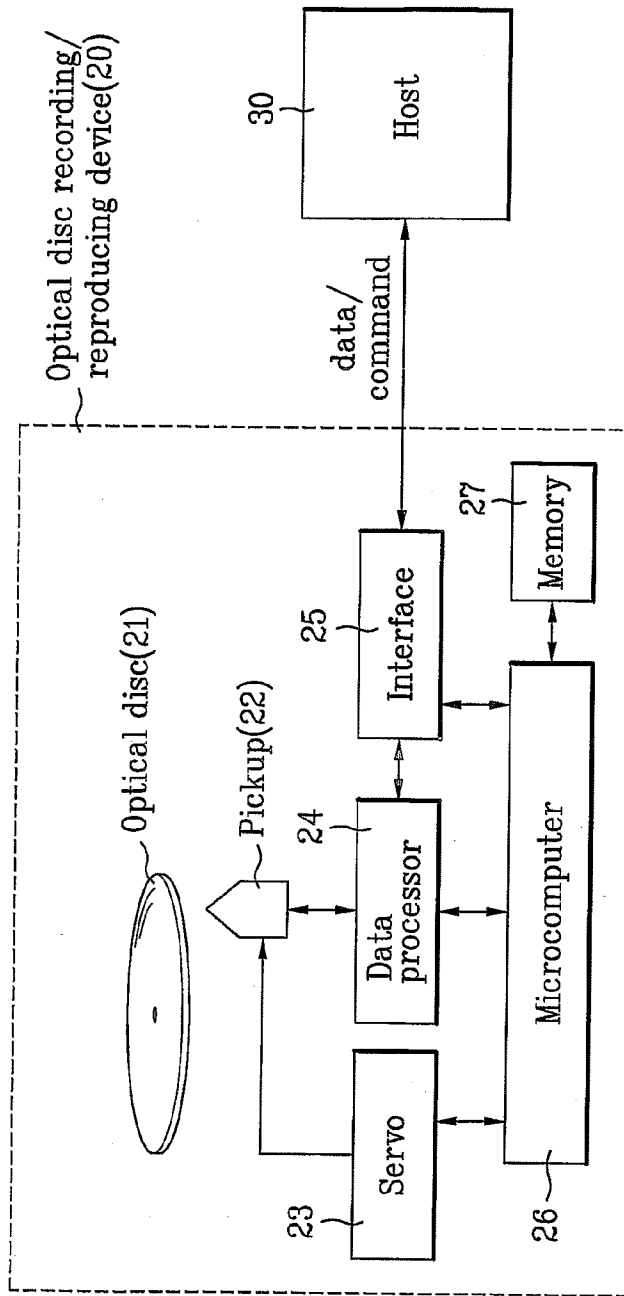
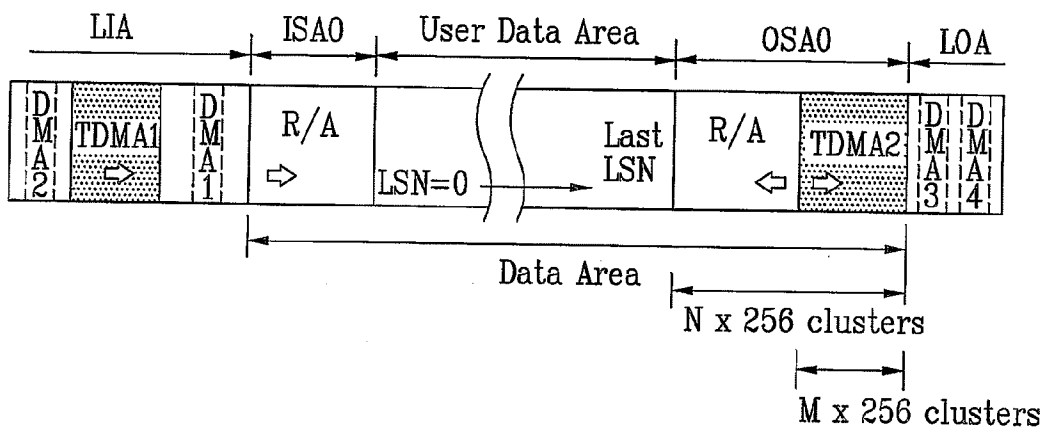


FIG. 4



R/A : Replacement Area

FIG. 5

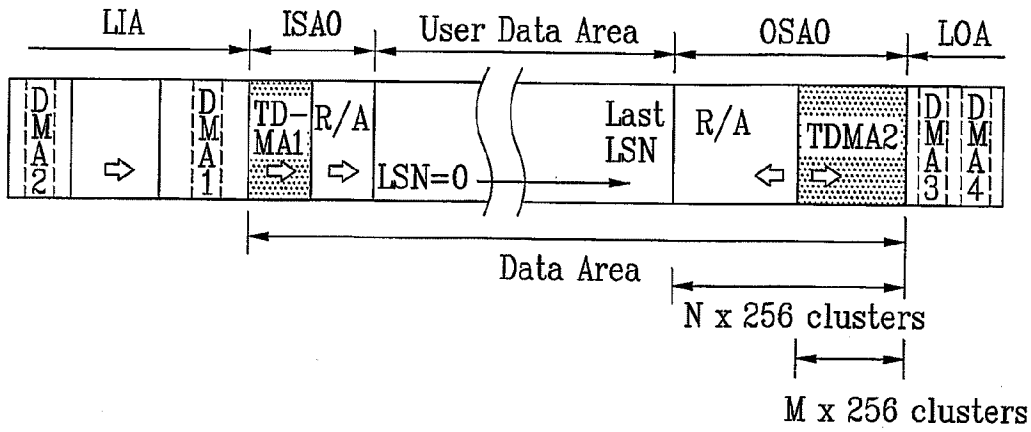


FIG. 6

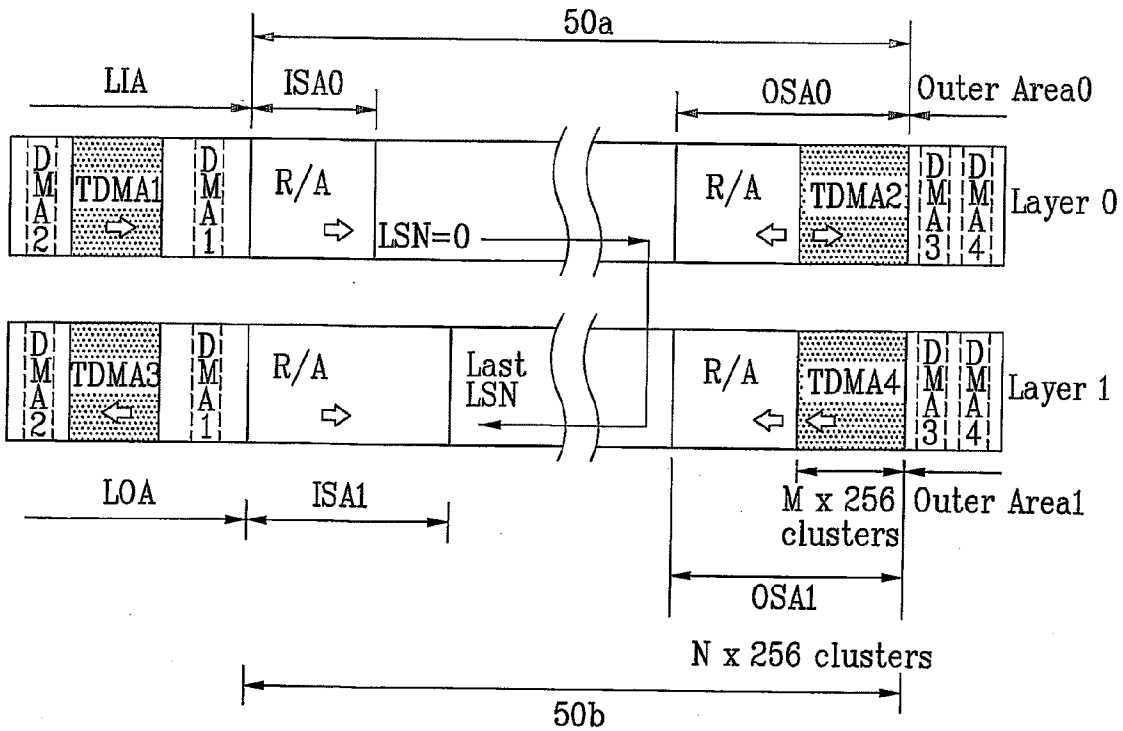


FIG. 7

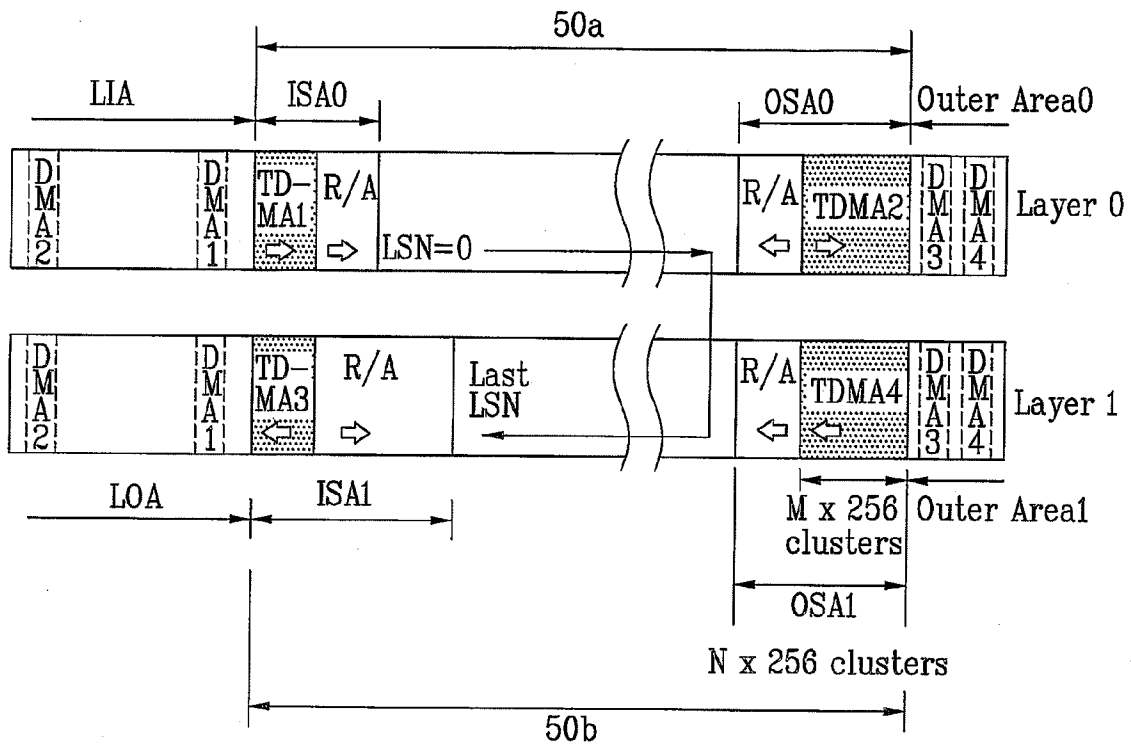


FIG. 8

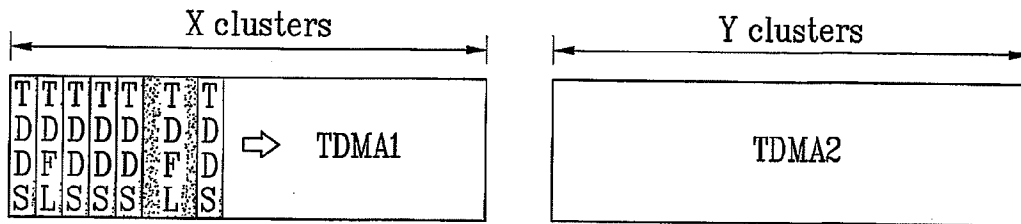
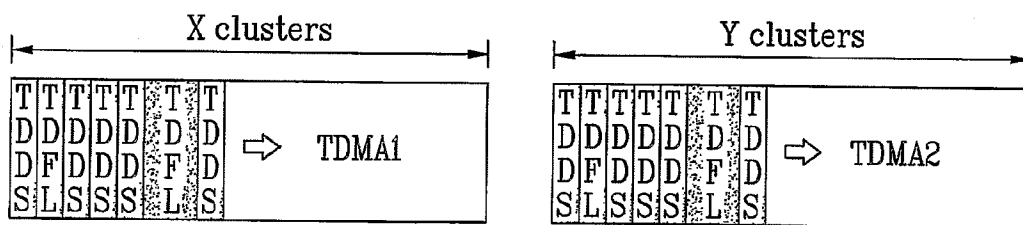


FIG. 9



8/9

FIG. 10

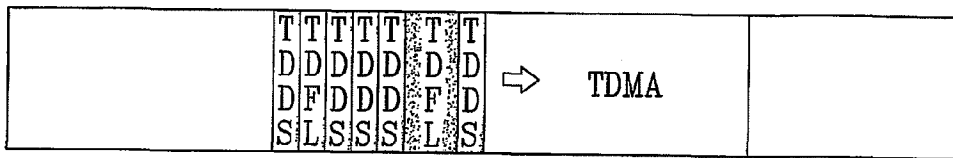


FIG. 11

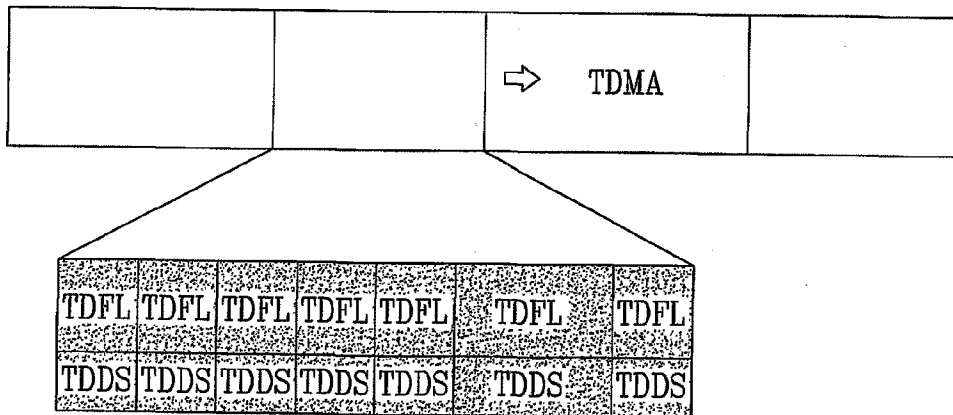


FIG. 12

Field in TDDS

	Contents	Number of Bytes
	⋮	⋮
Sector0	TDMA full flag	1
	TDMA1 size	1
	TDMA2 size	1
	TDMA3 size	1
	TDMA4 size	1
	⋮	⋮

FIG. 13

b7	b6	b5	b4	b3	b2	b1	b0
				TDMA4 full	TDMA3 full	TDMA2 full	TDMA1 full

INTERNATIONAL SEARCH REPORT

International application No.
PCT/KR 03/02028-0

<p>CLASSIFICATION OF SUBJECT MATTER IPC⁷: G11B 7/00, G11B 11/00 According to International Patent Classification (IPC) or to both national classification and IPC</p>														
<p>B. FIELDS SEARCHED Minimum documentation searched (classification system followed by classification symbols) IPC⁷: G11B 7/00, 11/00 Documentation searched other than minimum documentation to the extent that such documents are included in the fields searched</p>														
<p>Electronic data base consulted during the international search (name of data base and, where practicable, search terms used) WPI</p>														
<p>C. DOCUMENTS CONSIDERED TO BE RELEVANT</p> <table border="1"> <thead> <tr> <th>Category</th> <th>Citation of document, with indication, where appropriate, of the relevant passages</th> <th>Relevant to claim No.</th> </tr> </thead> <tbody> <tr> <td>A</td> <td>US 5805536 A (Gage et al.) 8 September 1989 (08.09.89)</td> <td>1,23,24</td> </tr> <tr> <td>A</td> <td>EP 1148493 A2 (Samsung) 24 October 2001 (24.10.01)</td> <td>1,23,24</td> </tr> <tr> <td colspan="3" style="text-align: center;">----</td> </tr> </tbody> </table>			Category	Citation of document, with indication, where appropriate, of the relevant passages	Relevant to claim No.	A	US 5805536 A (Gage et al.) 8 September 1989 (08.09.89)	1,23,24	A	EP 1148493 A2 (Samsung) 24 October 2001 (24.10.01)	1,23,24	----		
Category	Citation of document, with indication, where appropriate, of the relevant passages	Relevant to claim No.												
A	US 5805536 A (Gage et al.) 8 September 1989 (08.09.89)	1,23,24												
A	EP 1148493 A2 (Samsung) 24 October 2001 (24.10.01)	1,23,24												

<p><input type="checkbox"/> Further documents are listed in the continuation of Box C. <input checked="" type="checkbox"/> See patent family annex.</p>														
<p>* Special categories of cited documents: „A“ document defining the general state of the art which is not considered to be of particular relevance „E“ earlier application or patent but published on or after the international filing date „I“ document which may throw doubts on priority claim(s) or which is cited to establish the publication date of another citation or other special reason (as specified) „O“ document referring to an oral disclosure, use, exhibition or other means „P“ document published prior to the international filing date but later than the priority date claimed „T“ later document published after the international filing date or priority date and not in conflict with the application but cited to understand the principle or theory underlying the invention „X“ document of particular relevance; the claimed invention cannot be considered novel or cannot be considered to involve an inventive step when the document is taken alone „Y“ document of particular relevance; the claimed invention cannot be considered to involve an inventive step when the document is combined with one or more other such documents, such combination being obvious to a person skilled in the art „&“ document member of the same patent family</p>														
<p>Date of the actual completion of the international search 10 February 2004 (10.02.2004)</p>		<p>Date of mailing of the international search report 11 March 2004 (11.03.2004)</p>												
<p>Name and mailing address of the ISA/AT Austrian Patent Office Dresdner Straße 87, A-1200 Vienna Facsimile No. 1/53424/535</p>		<p>Authorized officer GRÖSSING G. Telephone No. 1/53424/386</p>												

INTERNATIONAL SEARCH REPORT

Information on patent family members

International application No.

PCT/KR 03/02028-0

Patent document cited in search report	Publication date	Patent family member(s)	Publication date
EP A 1148493		ID A 29760	2001-10-11
		TW B 544660	2003-08-01
		KR A 2001090964	2001-10-22
		CA A 2342580	2001-10-08
		JP A 2002056631	2002-02-22
		BR A 0103628	2002-02-19
US A 5805536	1998-09-08	none	